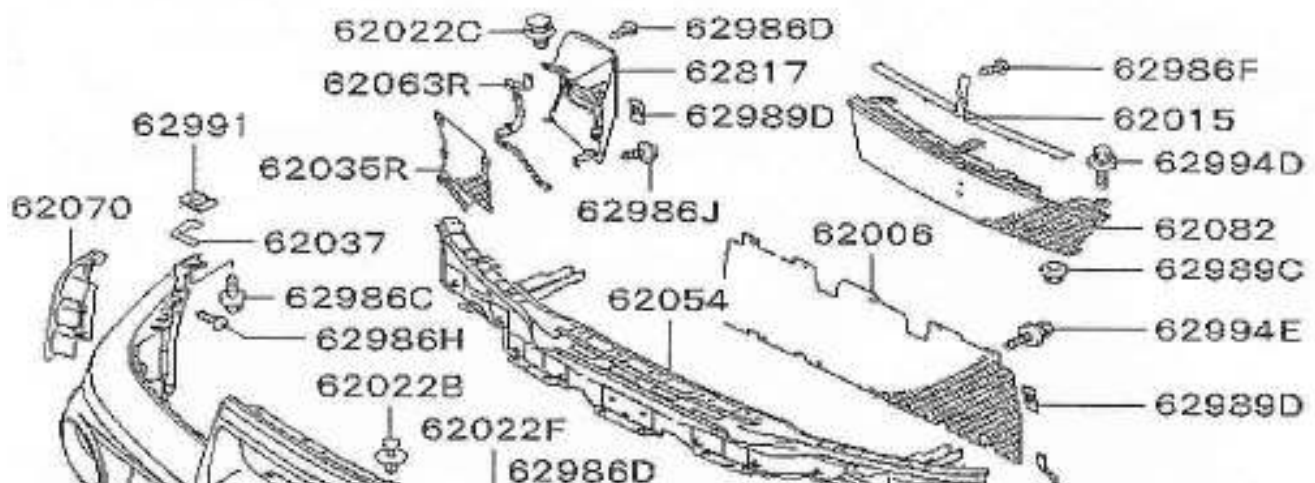


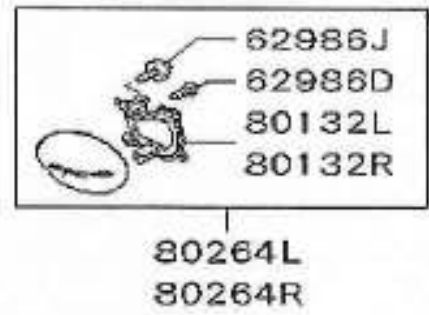
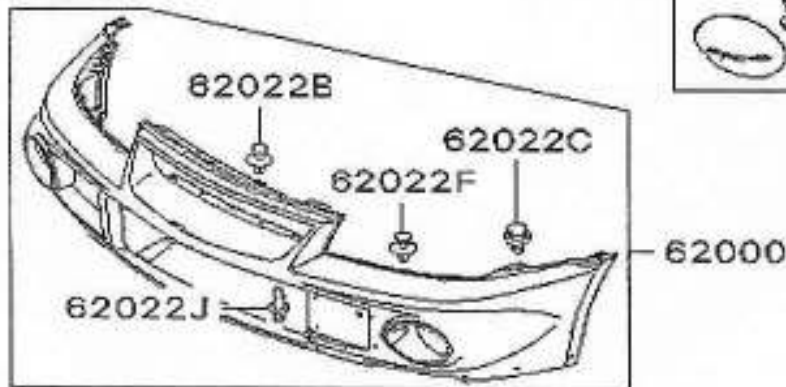
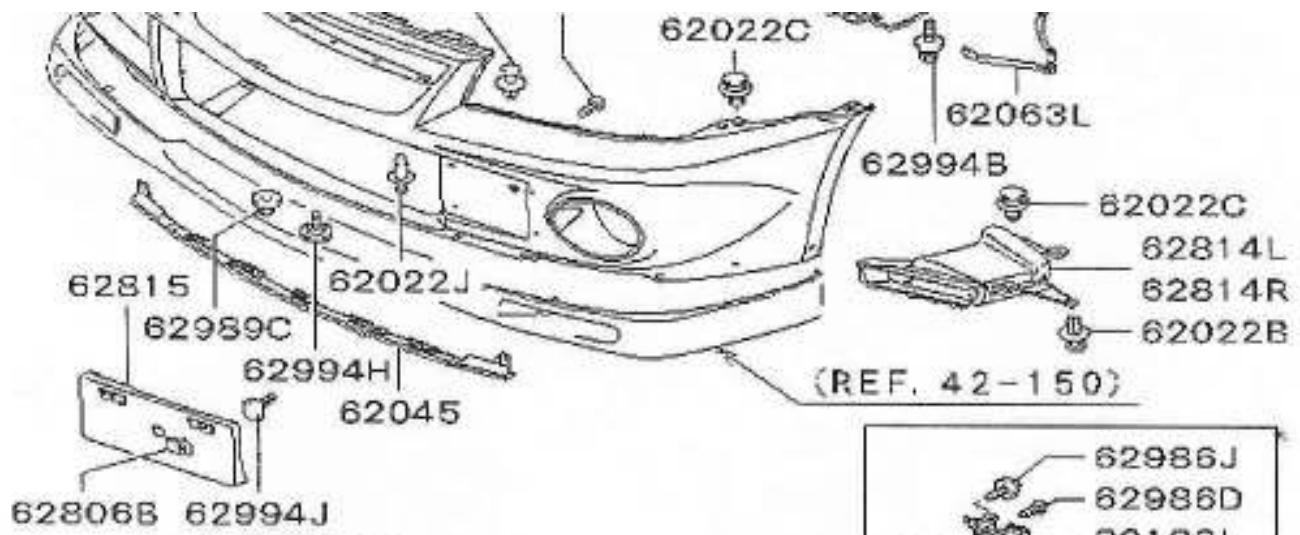
Note: Synthetic resin bumpers are supplied, in principle, with one single paint colour. As a rule, if they have to be restored with the different body colours, they are to be re-painted in accordance with the instructions as applicable.

Service Bulletin No. 64E-025

3E2AW73

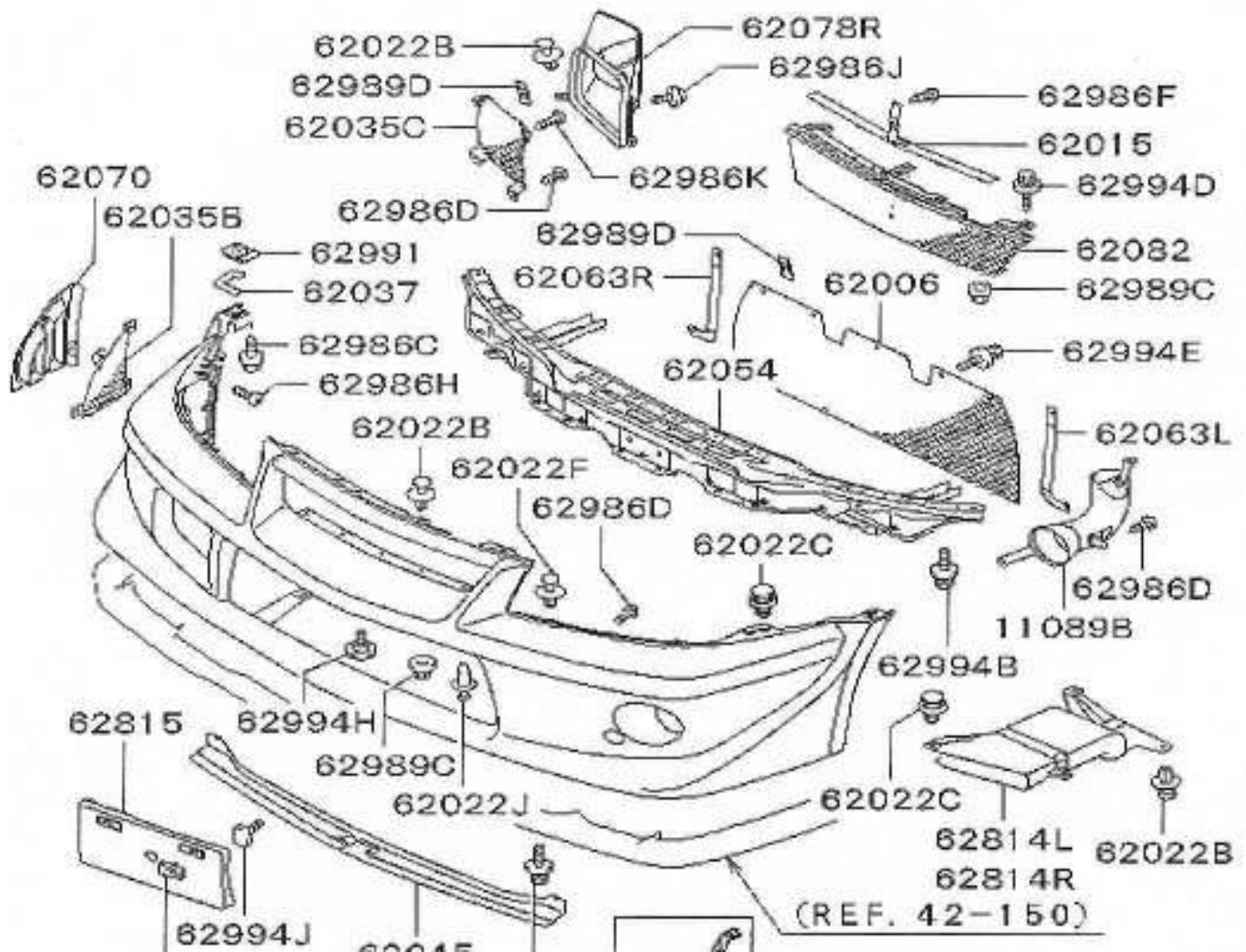
EVO 5





3E25370

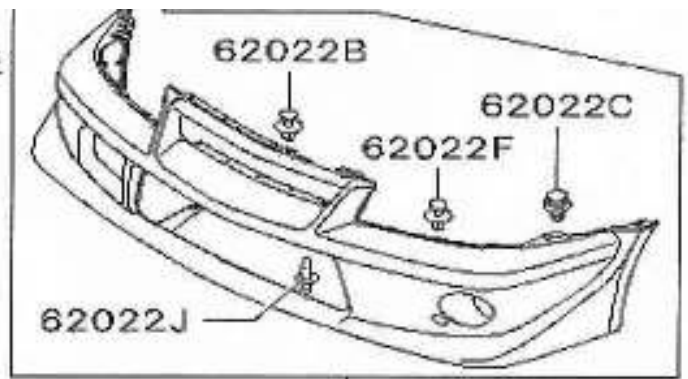
EVO 6



62806B

62040

62994E



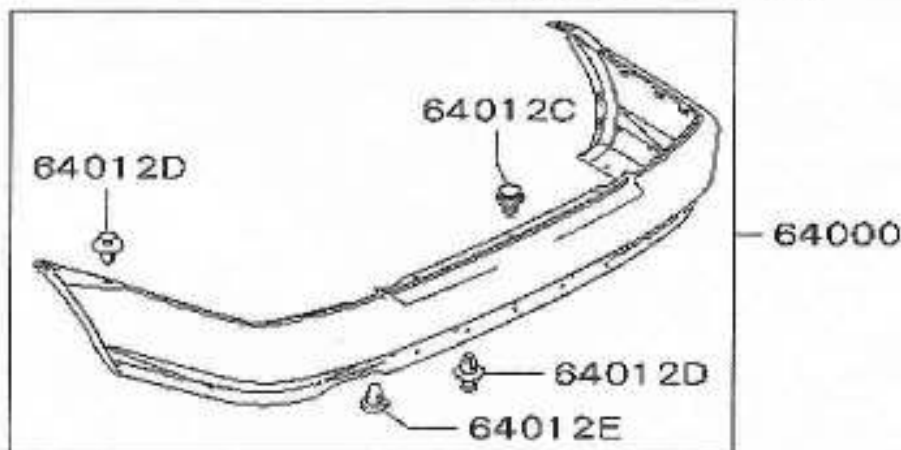
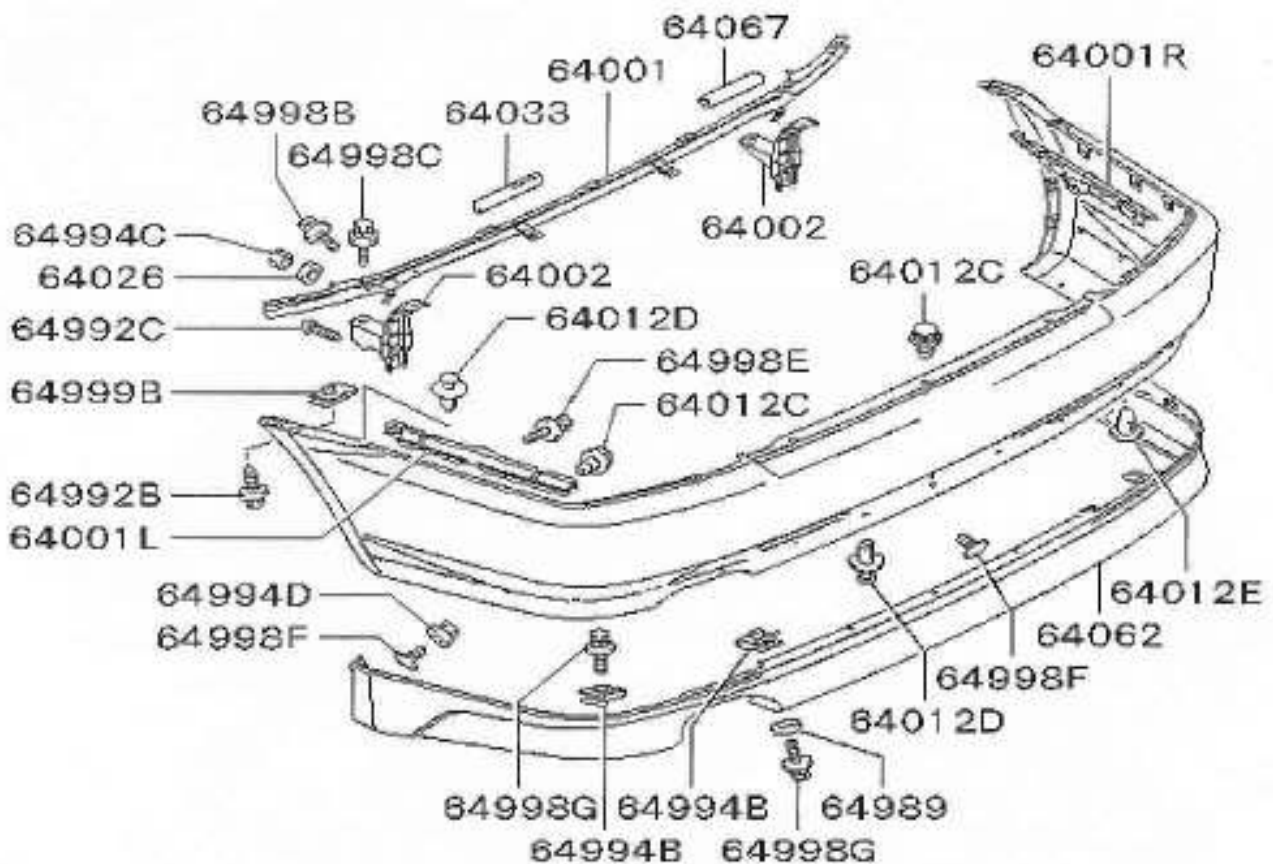
62000

300031B

Notes:

Synthetic resin bumpers are supplied, in principle, with one single paint colour, i.e. white. If they have to be matched with the different body colours, they are to be re-painted in accordance with the instructions as applicable.

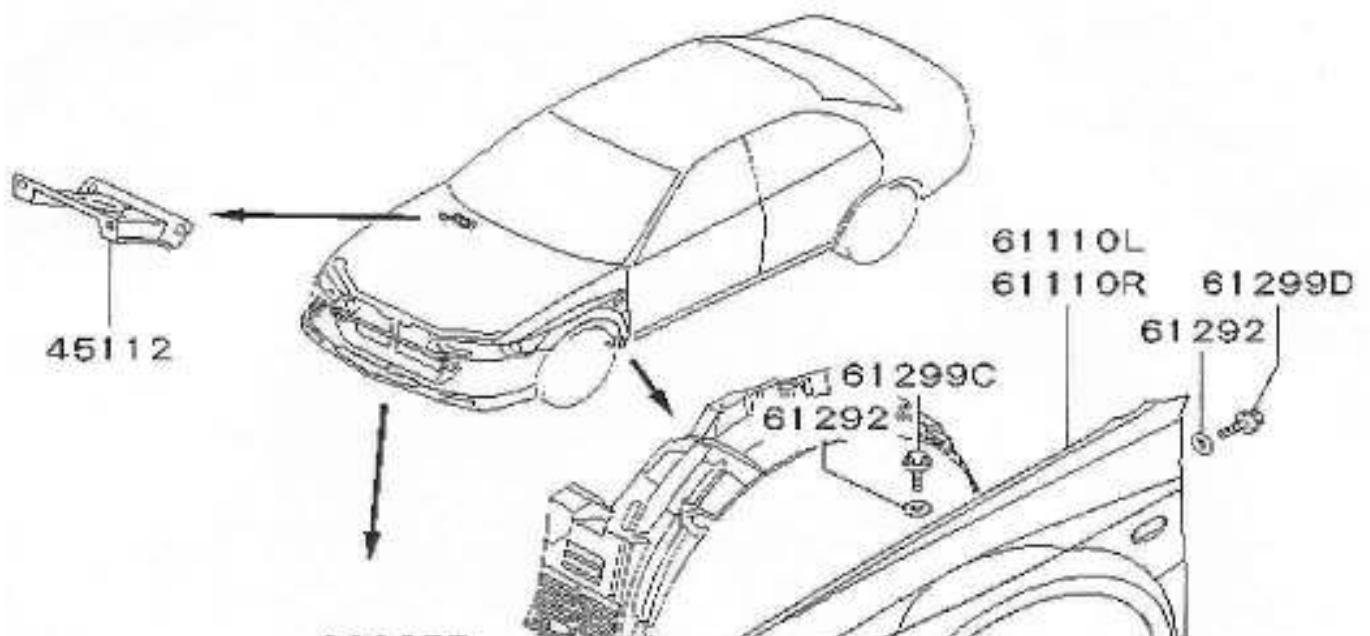
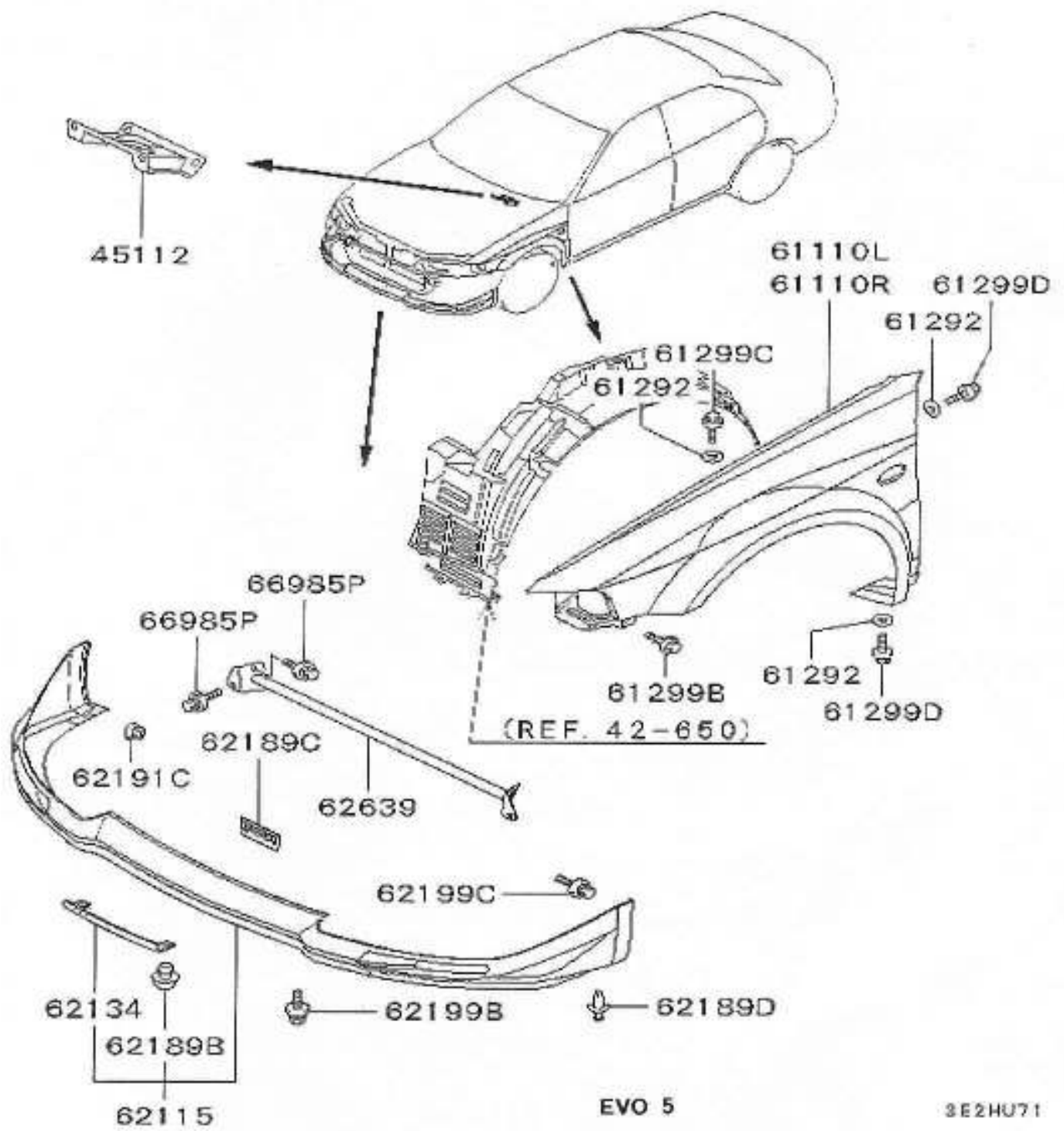
Service Bulletin No. 34E-025

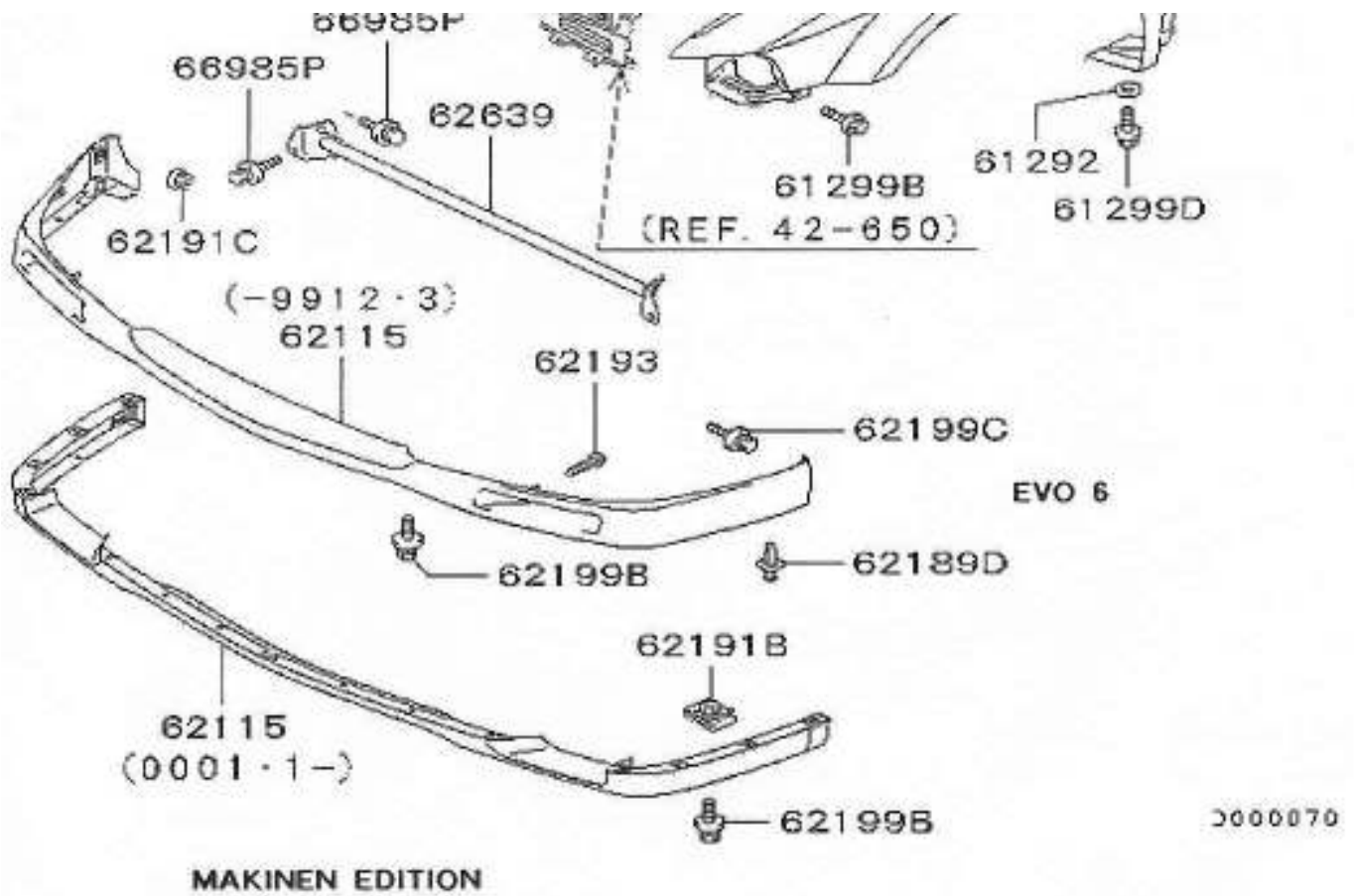
MAKINEN EDITION

Note: Synthetic resin bumpers are supplied, in principle, with one single paint colour, i.e. white. If they have to be matched with the different body colours, they are to be re-painted in accordance with the instructions as applicable.

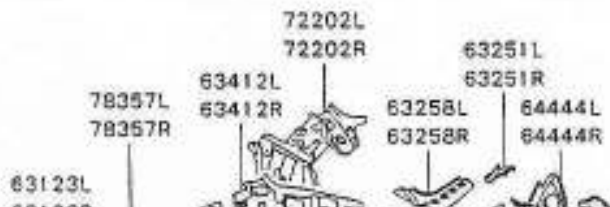
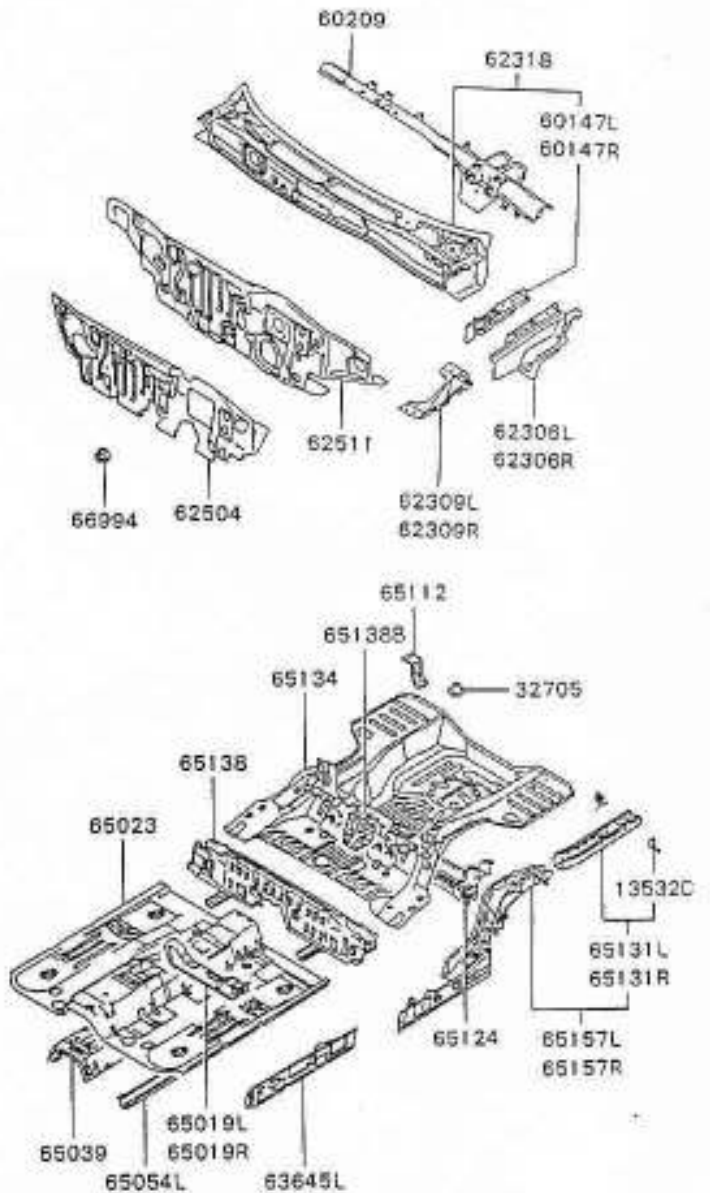
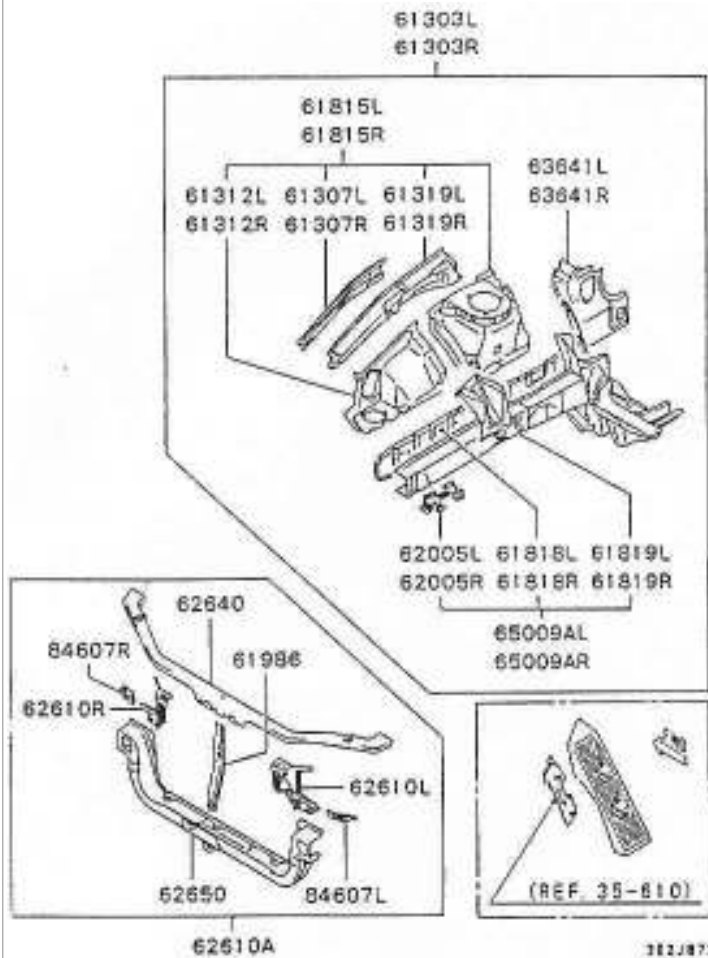
Service Bulletin No. 34E-025

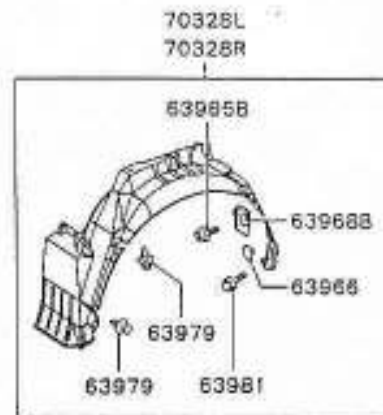
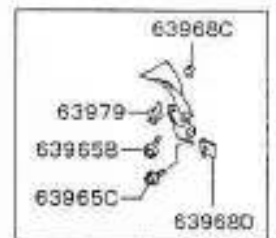
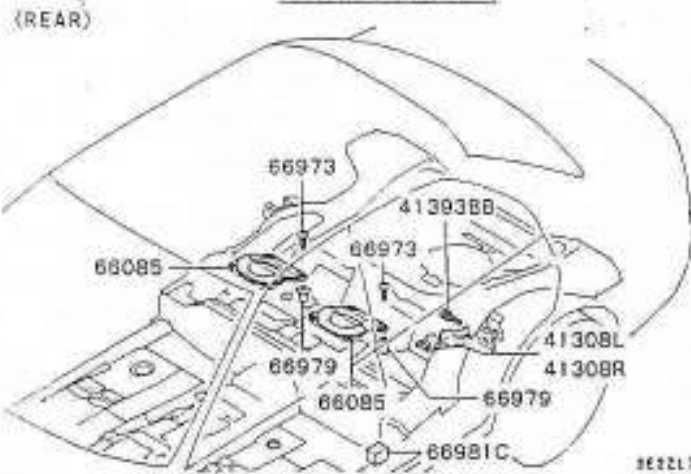
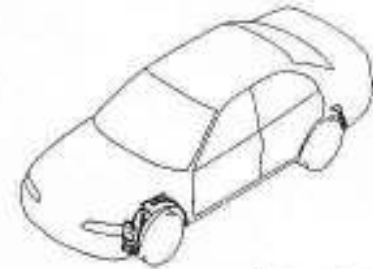
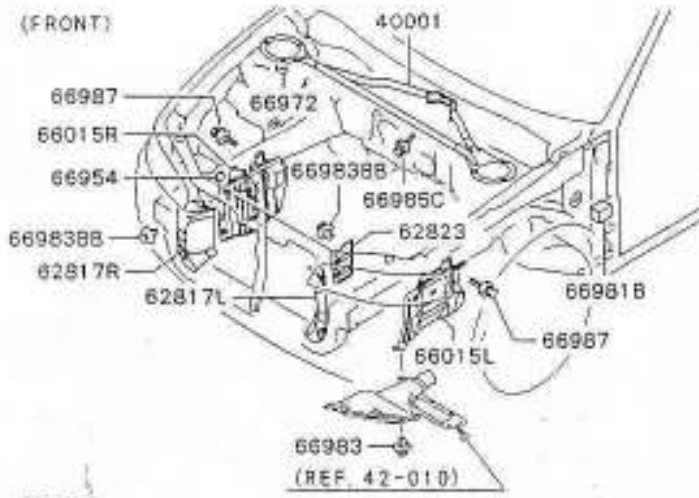
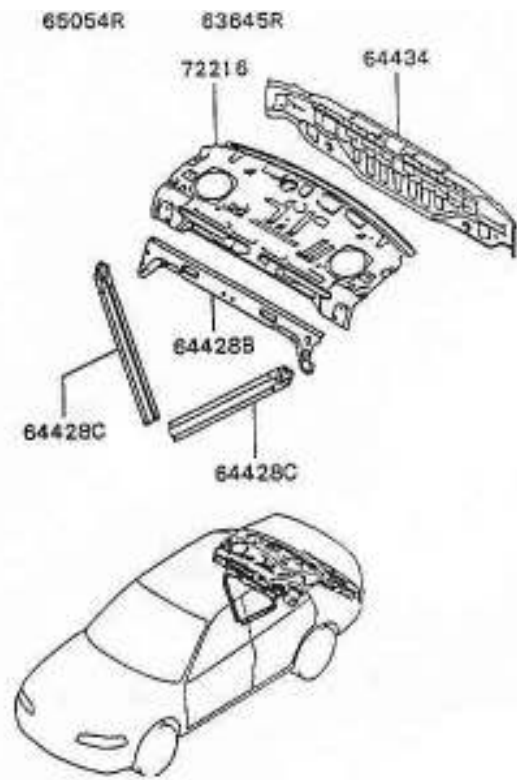
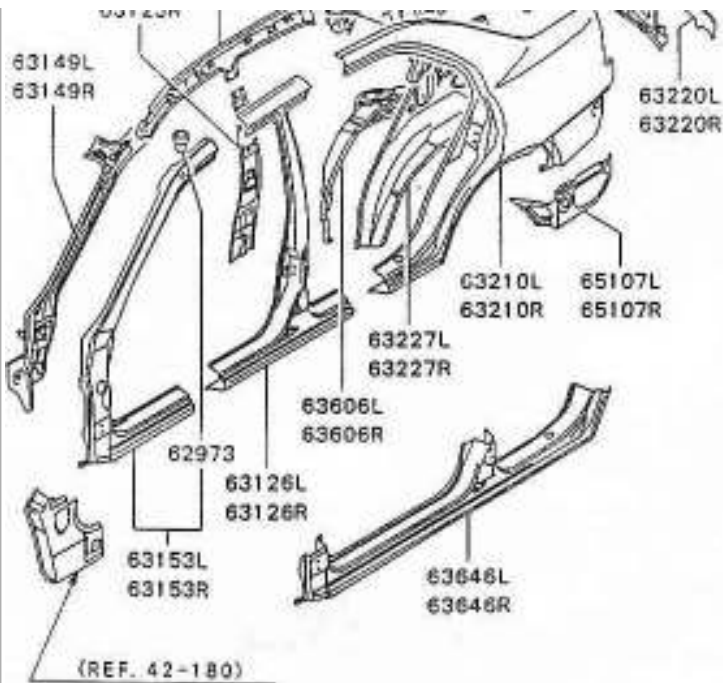
3E2BU71



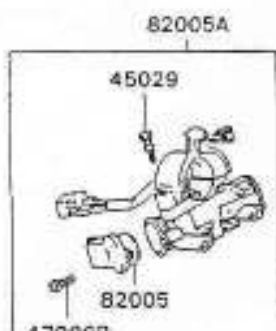


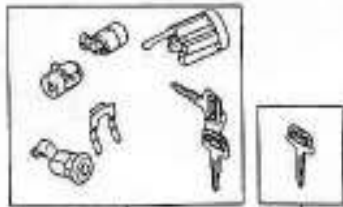
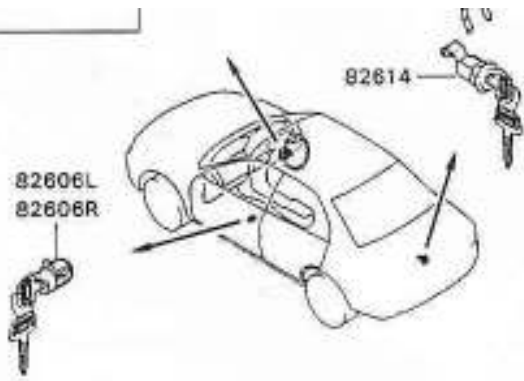
MAKINEN EDITION





70319L
70319R

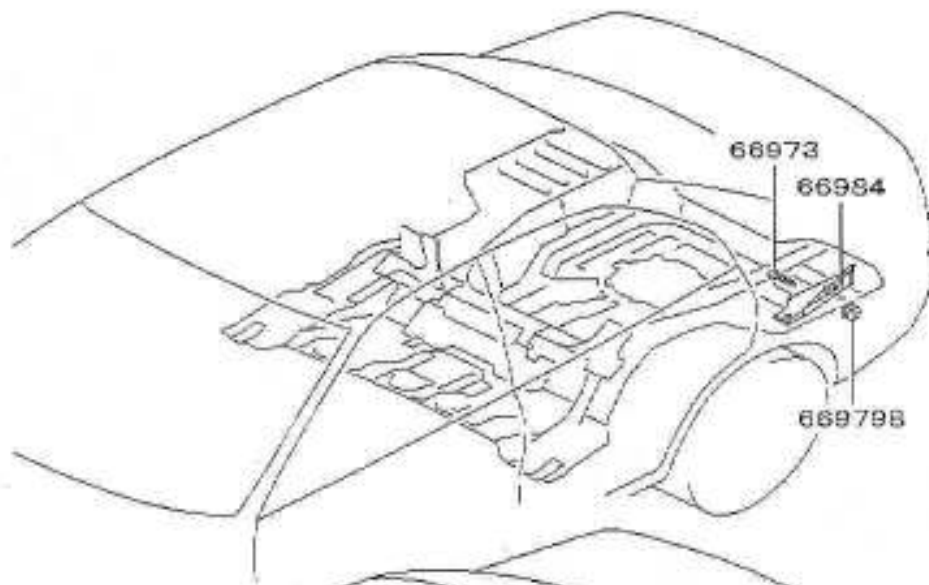




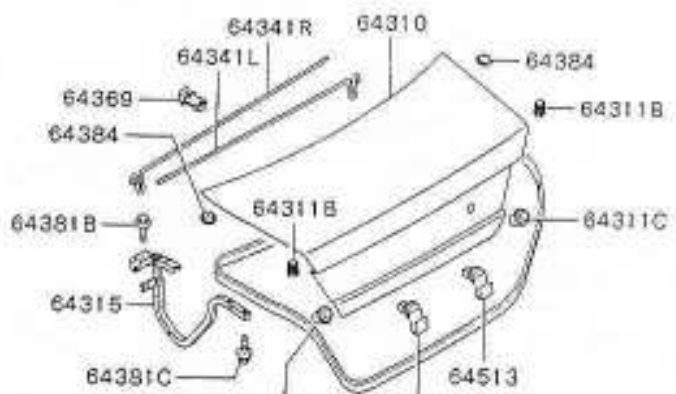
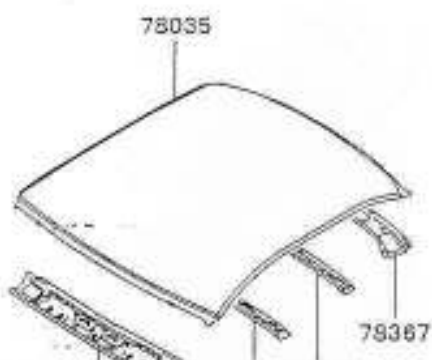
82604

82615

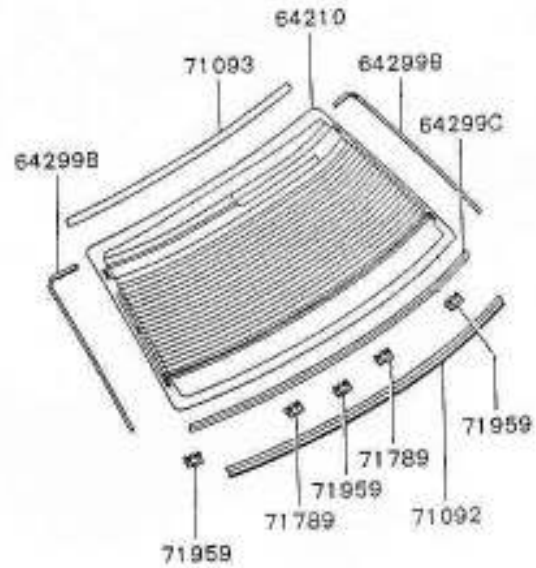
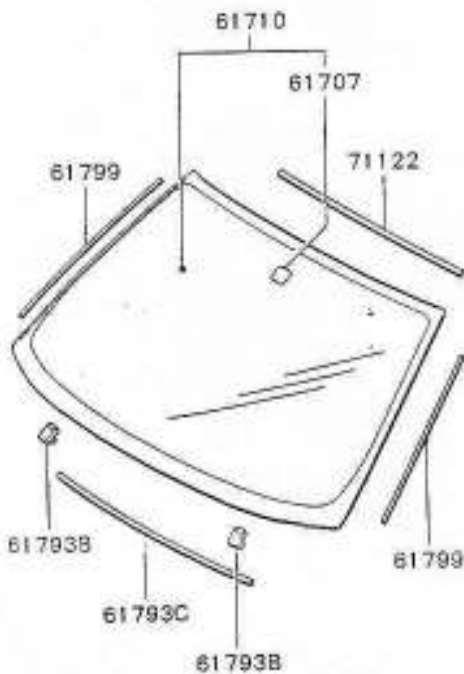
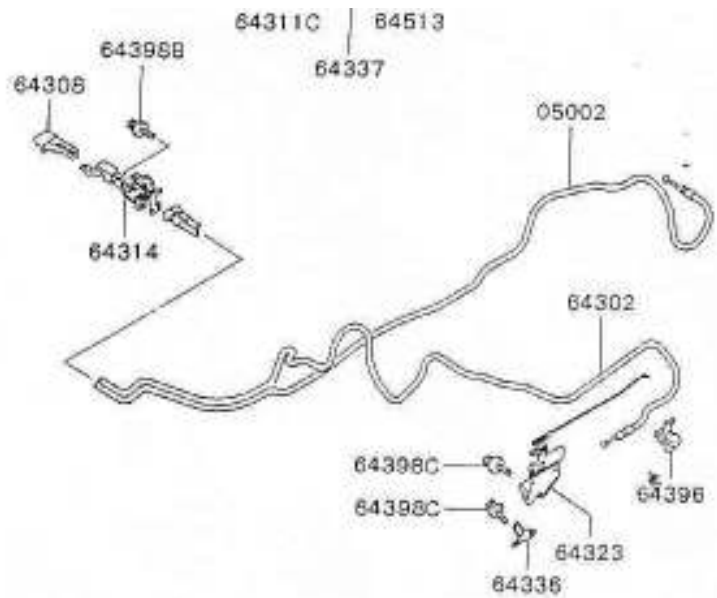
3E22



3E22V70



78366 78227C 78227B



Nr	Część	Cena netto zł	Cena brutto zł
62000	FACE KIT, FR BUMPER	1 482,45	1 808,59
62006	NET FR-BUMPER CENTER	614,80	750,05
62015	BRACKET FRONT BUMPER CENTER	41,15	50,21
62035R	NET FR-BUMPER RH	131,39	160,29
62045	PLATE, FR BUMPER, LWR	126,43	154,24
62054	BRACKET, FRONT BUMPER	745,29	909,25
62063C	BRACKET FR BUMPER	12,94	15,79
62070	GARNISH FRONT BUMPER	119,64	145,96
62082	NET FR-BUMPER UPR	393,67	480,27
62814L	DUCT, FR BRAKE COOLING, LH	140,31	171,18
62814R	DUCT, FR BRAKE COOLING, RH	140,31	171,18
62817	PANEL, AIR GUIDE	117,01	142,75
80264L	COVER, FRONT FOG LAMP, LH	177,45	216,49
80264R	COVER, FRONT FOG LAMP, RH	177,45	216,49
64000	REAR BUMPER	1 299,00	1 584,78

64001	BRACKET, REAR BUMPER	270,21	329,66
64001L	BRACKET REAR BUMPER, LH	62,47	76,21
64001R	BRACKET REAR BUMPER, RH	62,47	76,21
64002	BRACKET, REAR BUMPER	52,56	64,12
64062	AIR DAM, REAR BUMPER	982,33	1 198,45
61400	PANEL HOOD	2 808,77	3 426,70
61446L	HINGE, HOOD, LH	105,11	128,23
61446R	HINGE, HOOD, RH	105,11	128,23
61468	PROTECTOR HEAT	346,57	422,81
61471	LATCH, HOOD	80,32	97,99
61501	ROD, HOOD SUPPORT	45,12	55,04
61534	STRIP HOOD	39,17	47,79
63606L	PANEL, RR WHEELHOUSE, INR LH	419,95	512,33
63606R	PANEL, RR WHEELHOUSE, INR RH	419,95	512,33
63646L	SIDE SILL, FRONT FLOOR, OTR LH	1 383,29	1 687,61
63646R	SIDE SILL, FRONT FLOOR, OTR RH	1 383,29	1 687,61
64444L	PANEL, RR COMB LAMP HOUSING, LH	122,46	149,41
64444R	PANEL, RR COMB LAMP HOUSING, RH	122,46	149,41
65107L	BRACE, RR FLOOR SIDE, LH	76,35	93,15
72202L	BRACE, REAR SHELF, LH	430,36	525,04
72202R	BRACE, REAR SHELF, RH	430,36	525,04
78357L	RAIL, ROOF SIDE INR, LH	555,30	677,47
78357R	RAIL, ROOF SIDE INR, RH	555,30	677,47
61110L	FENDER LH	1 855,24	2 263,40
61110R	FENDER RH	1 855,24	2 263,40
62115	PANEL, AIR DAM SKIRT	1 301,58	1 587,93
62639	CROSSMEMBER, HEADLAMP SUPPORT	240,81	293,79
61303L	FENDER SHIELD, FRONT LH	2 099,28	2 561,12
61303R	FENDER SHIELD, FRONT RH	2 099,28	2 561,12
61307L	FRAME, FR FENDER SHIELD, UPR OTR LH	143,29	174,81
61307R	FRAME, FR FENDER SHIELD, UPR OTR RH	143,29	174,81
61312L	PLATE, FR FENDER SHIELD, LH	212,70	259,49
61312R	PLATE, FR FENDER SHIELD, RH	202,29	246,79
61319L	FRAME, FR FENDER SHIELD, UPR INR LH	216,67	264,33
61319R	FRAME, FR FENDER SHIELD, UPR INR RH	216,67	264,33
61815L	WHEELHOUSE, FR INN LH	832,95	1 016,20
61815R	WHEELHOUSE, FR INN RH	832,95	1 016,20
61818L	SIDEMEMBER, FR OTR LH	414,99	506,28
61818R	SIDEMEMBER, FR OTR RH	414,99	506,28
61819L	SIDEMEMBER, FR INR LH	793,28	967,81
61819R	SIDEMEMBER, FR INR RH	793,28	967,81
61986	STAY, FR END STRUCTURE	84,29	102,83
62610A	SUPPORT ASSY, HEADLAMP	1 130,43	1 379,13
62610L	SUPPORT, HEADLAMP LH	187,41	228,64
62610R	SUPPORT, HEADLAMP RH	187,41	228,64
62640	PANEL, HEADLAMP SUPPORT, UPR	275,67	336,31
62650	PANEL, HEADLAMP SUPPORT, UPR	555,30	677,47
63641L	SIDE SILL, FR FLOOR, FR INR LH	200,80	244,98
63641R	SIDE SILL, FR FLOOR, FR INR RH	200,80	244,98
65009AL	SIDEMEMBER ASSY, FR LH	1 680,77	2 050,54
65009AR	SIDEMEMBER ASSY, FR RH	1 680,77	2 050,54
60147L	EXTENSION, UPR FRAME, INR LH	86,77	105,85
60147R	EXTENSION, UPR FRAME, INR RH	86,77	105,85
60209	CROSSMEMBER, FRONT DECK	1 512,20	1 844,88

62306L	EXTENSION, COWL TOP, OTR LH	174,52	212,92
62306R	EXTENSION, COWL TOP, OTR RH	174,52	212,92
62309L	GUSSET, COWL TOP, OTR LH	64,45	78,63
62309R	GUSSET, COWL TOP, OTR RH	64,45	78,63
62318	PANEL, COWL TOP	1 199,84	1 463,81
62511	DASH PANEL	1 194,89	1 457,76
61710	GLASS, WINDSHIELD	963,30	1 175,22
71122	MOULDING, WINDSHIELD W	38,67	47,18
78035	PANEL, ROOF	1 641,11	2 002,15
78227B	BOW, ROOF	186,92	228,04
78227C	BOW, ROOF	186,92	228,04
78366	RAIL, ROOF, FR	227,08	277,03
78367	RAIL, ROOF, RR	173,04	211,10
63123L	PILLAR, CTR INR LH	233,52	284,90
63123R	PILLAR, CTR INR RH	233,52	284,90
63126L	PILLAR, CTR OTR LH	1 343,63	1 639,22
63126R	PILLAR, CTR OTR RH	1 343,63	1 639,22
63149L	PILLAR LH	490,84	598,83
63149R	PILLAR RH	490,84	598,83
63153L	PILLAR, FRONT OTR LH	1 393,11	1 699,59
63153R	PILLAR, FRONT OTR RH	1 393,11	1 699,59
63210L	PANEL, QTR, OTR	1 343,63	1 639,22
63210R	PANEL, QTR, OTR RH	1 343,63	1 639,22
63220L	PANEL, QTR CORNER, LH	37,68	45,97
63220R	PANEL, QTR CORNER, RH	37,68	45,97
63227L	PANEL, QTR, INR LH	425,40	518,99
63227R	PANEL, QTR, INR, RH	425,40	518,99
63251L	EXTENSION, QTR PANEL, LWR OTR LH	28,26	34,48
63251R	EXTENSION, QTR PANEL, LWR OTR LH	28,26	34,48
63258L	EXTENSION, QTR PANEL, LWR UPR LH	92,22	112,51
63258R	EXTENSION, QTR PANEL, LWR UPR RH	92,22	112,51
63412L	PILLAR, REAR INR LH	281,12	342,97
63412R	PILLAR, REAR INR RH	275,67	336,31
65134	FLOOR, REAR	2 602,97	3 175,62
65138	EXTENSION, RR FLOOR	1 036,23	1 264,20
63645L	SIDE SILL, FR FLOOR, INR LH	157,67	192,35
63645R	SIDE SILL, FR FLOOR, INR RH	157,67	192,35
65019L	CROSSMEMBER, FR FLOOR, LH	215,18	262,52
65019R	CROSSMEMBER, FR FLOOR, RH	215,18	262,52
65023	FLOOR, FRONT	2 027,83	2 473,96
65054L	SIDEMEMBER, FR FLOOR, LH	193,36	235,90
65054R	SIDEMEMBER, FR FLOOR, RH	193,36	235,90
65124	CROSSMEMBER, RR FLOOR	404,08	492,98
65131L	EXTENSION, RR FLOOR SIDEMEMBER, LH	325,74	397,41
65131R	EXTENSION, RR FLOOR SIDEMEMBER, RH	325,74	397,41
65157L	SIDEMEMBER, RR FLOOR, RH	1 267,47	1 546,31
65157R	SIDEMEMBER, RR FLOOR, LH	1 267,47	1 546,31
64434	PANEL, REAR END	823,03	1 004,10
64210	GLASS, RR WINDOW	1 492,37	1 820,69
64299B/C	DAM, REAR WINDOW	85,28	104,04
71092	MOULDING, RR WINDOW, LWR	106,10	129,44
71093	MOULDING, RR WINDOW, UPR	38,18	46,58
64310	PANEL, TRUNK LID	889,77	1 085,52
40035	FRONT STRUT TOWER BAR	975,99	1 190,71

40035/R	STRUT TOWER BAR, REAR	975,99	1 190,71
41308L	BRACKET, RR SUSP UPR ARM, LH	152,21	185,70
41308R	BRACKET, RR SUSP UPR ARM, RH	152,21	185,70
62817B/L	PANEL, AIR GUIDE, LH	37,68	45,97
62817B/R	PANEL, AIR GUIDE, RH	73,87	90,13
62817BB	PANEL, AIR GUIDE	32,23	39,32
65126CB	TOWER BAR RR FLOOR	189,40	231,06
66015L	COVER, ENG ROOM UNDER, LH	96,19	117,35
66015R	COVER, ENGINE ROOM UNDER, RH	59,50	72,59
66984	BRACKET, TANK WINDSHIELD WASHER	64,45	78,63
70319L	SHIELD KIT, SPLASH, RR LH	30,74	37,50
70319R	SHIELD KIT, SPLASH, RR RH	30,74	37,50
70328L	SHIELD KIT, SPLASH, FR LH	207,25	252,84
70328R	SHIELD KIT, SPLASH, FR RH	207,25	252,84
82604	CYLINDER & KEY SET, LOCK	381,42	465,33