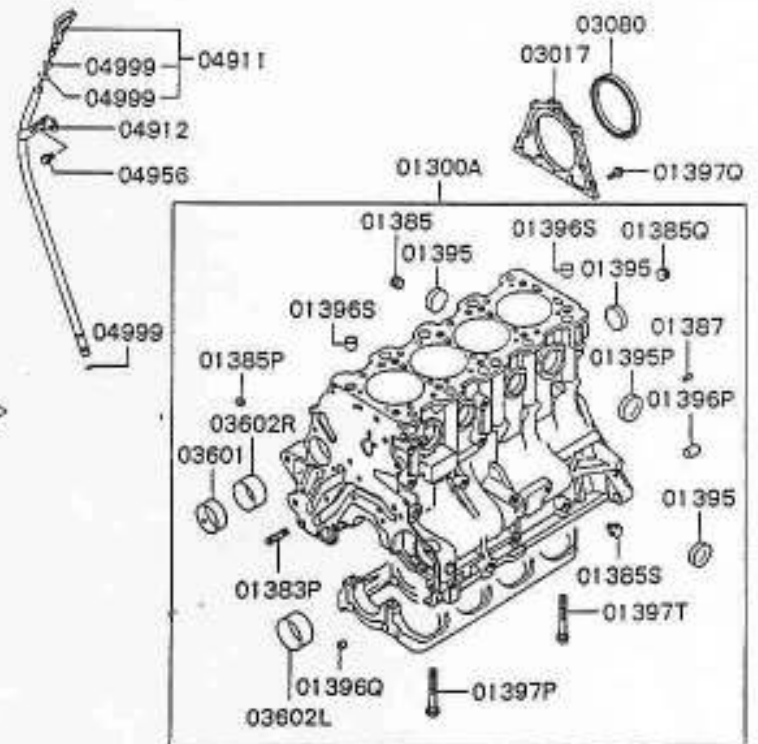
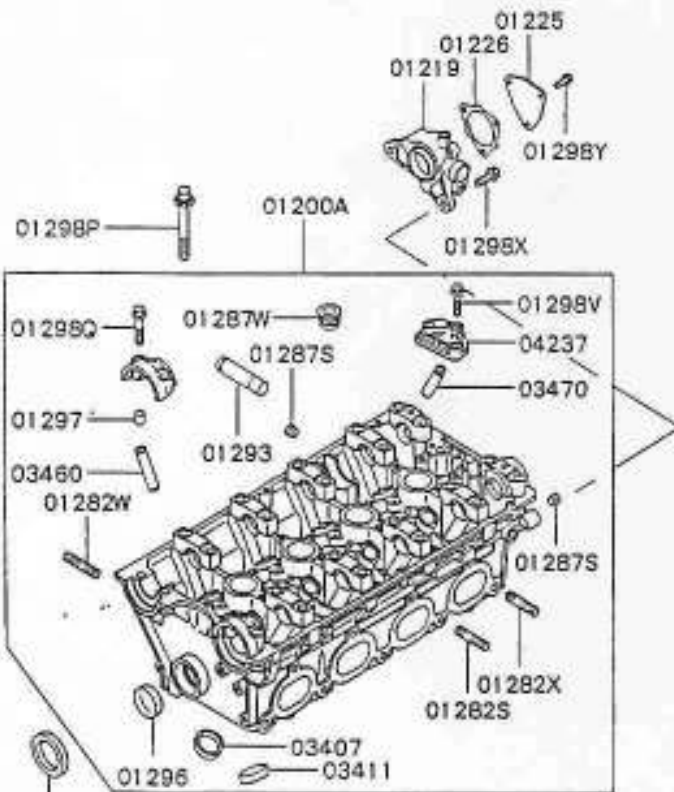
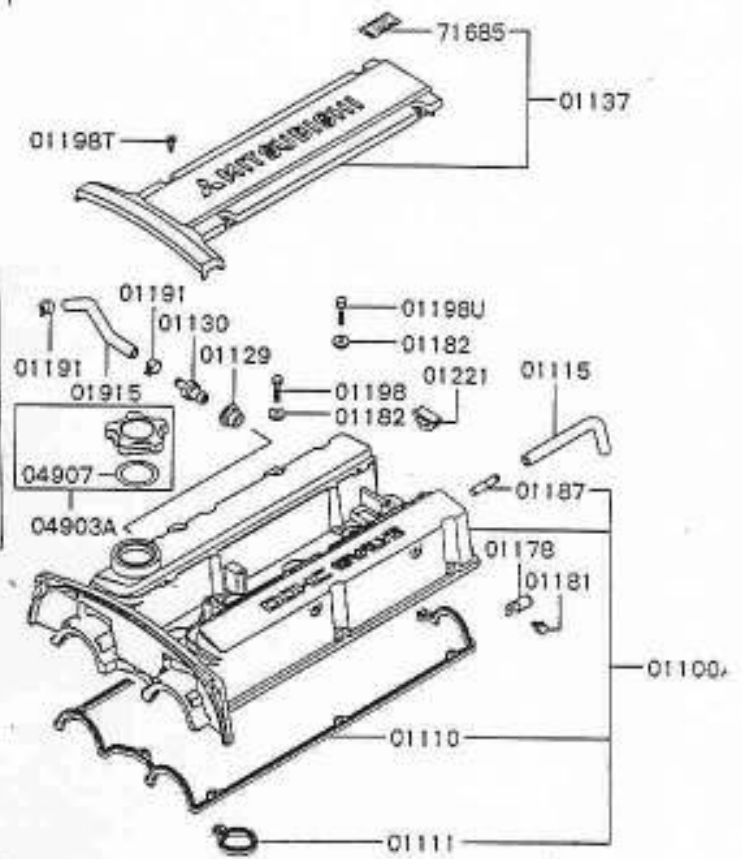
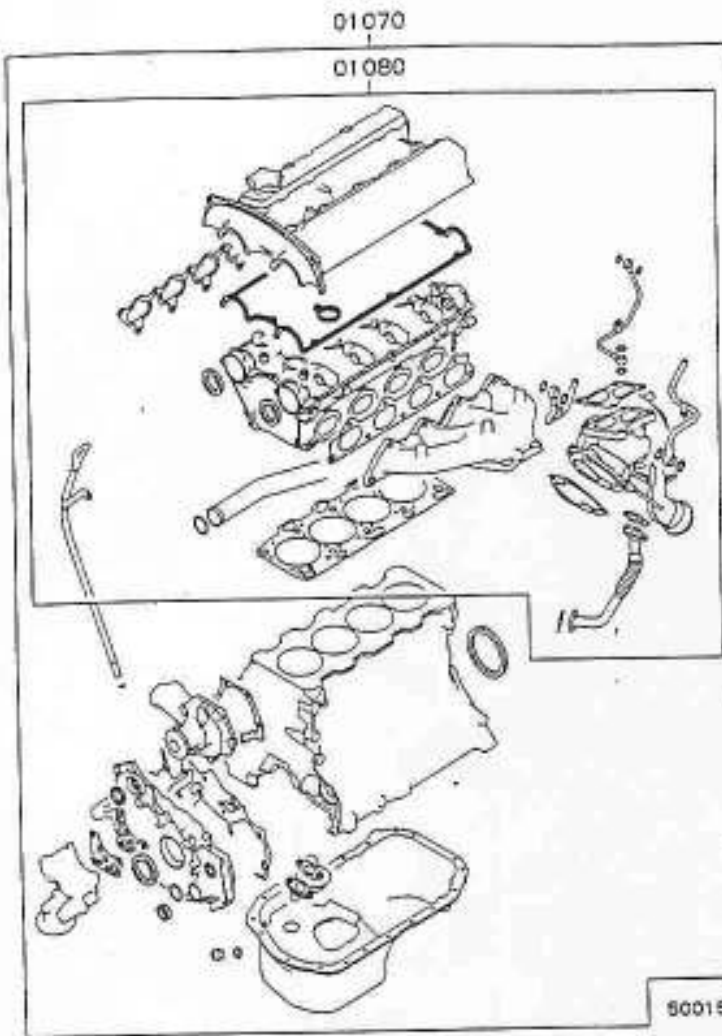
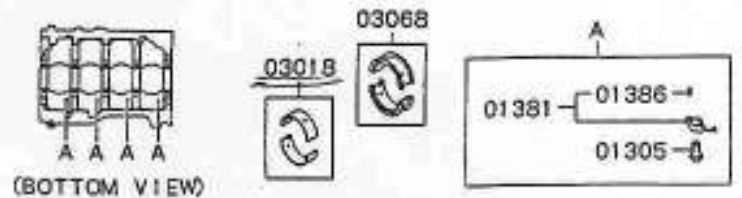
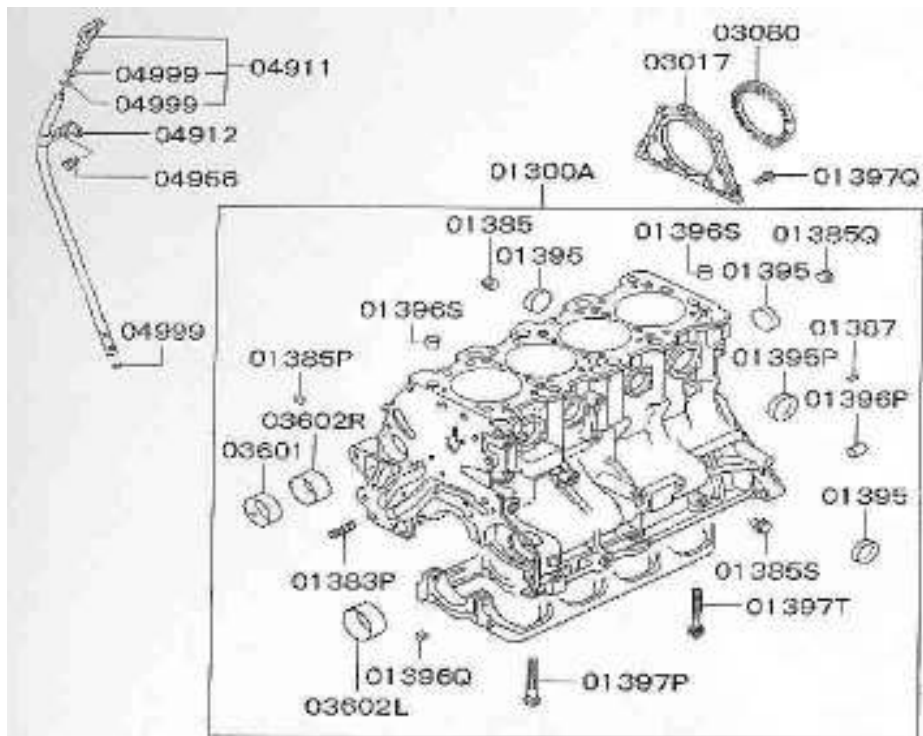


11 ENGINE

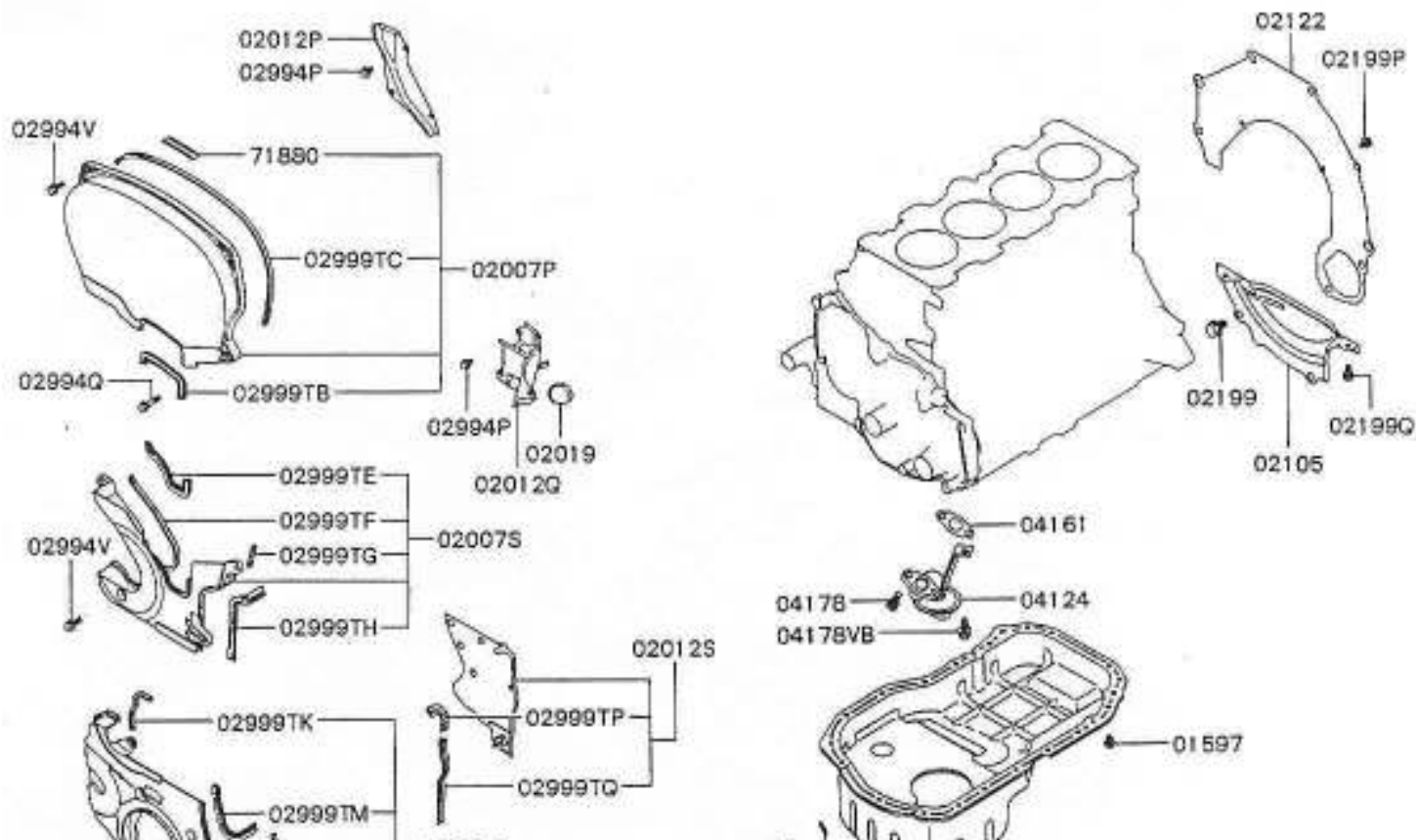


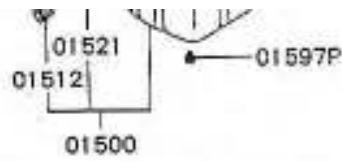
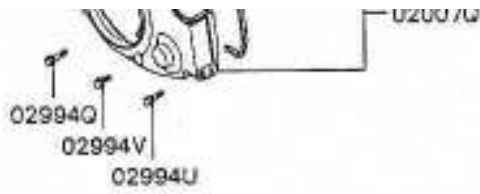
500212





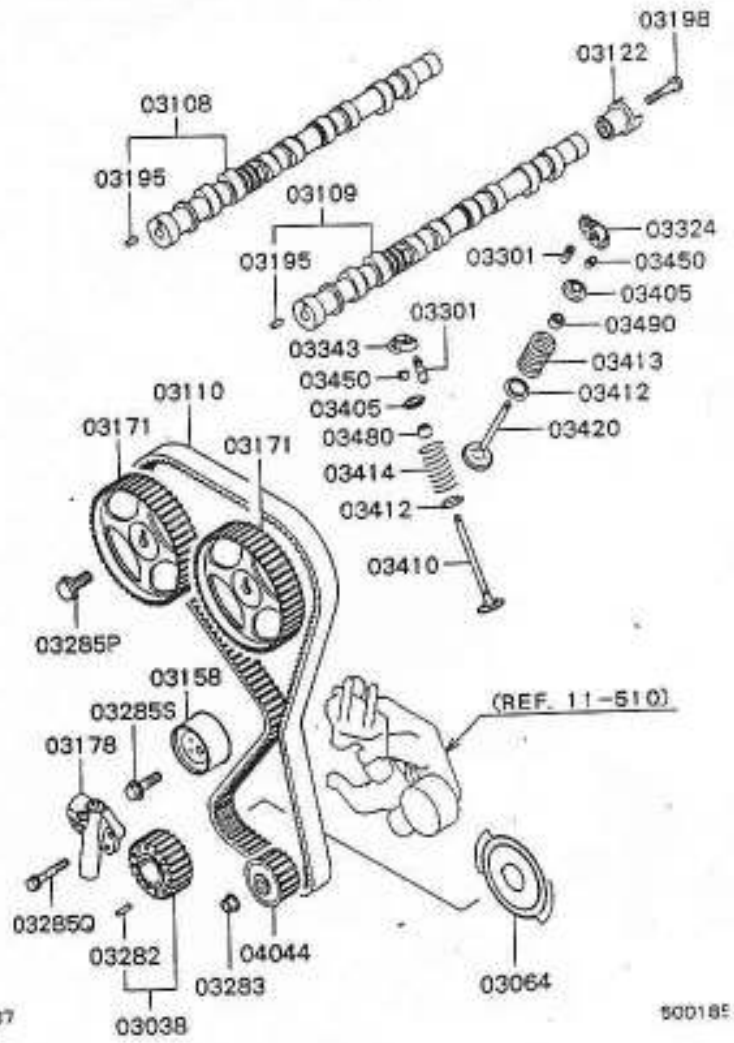
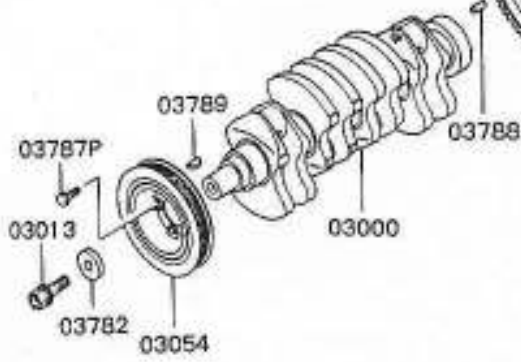
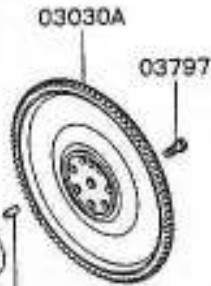
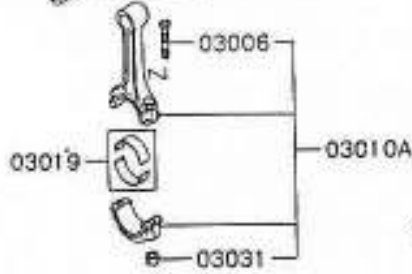
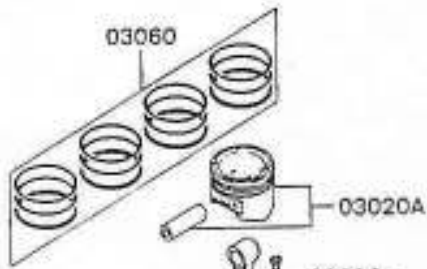
EVO 5 / EVO 8





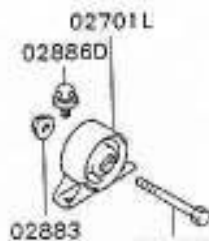
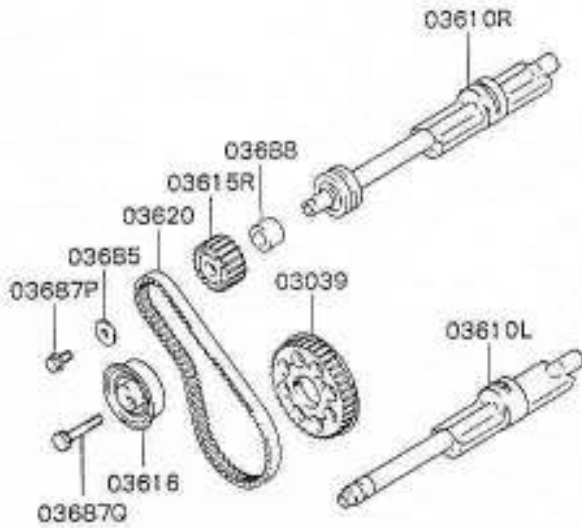
500320

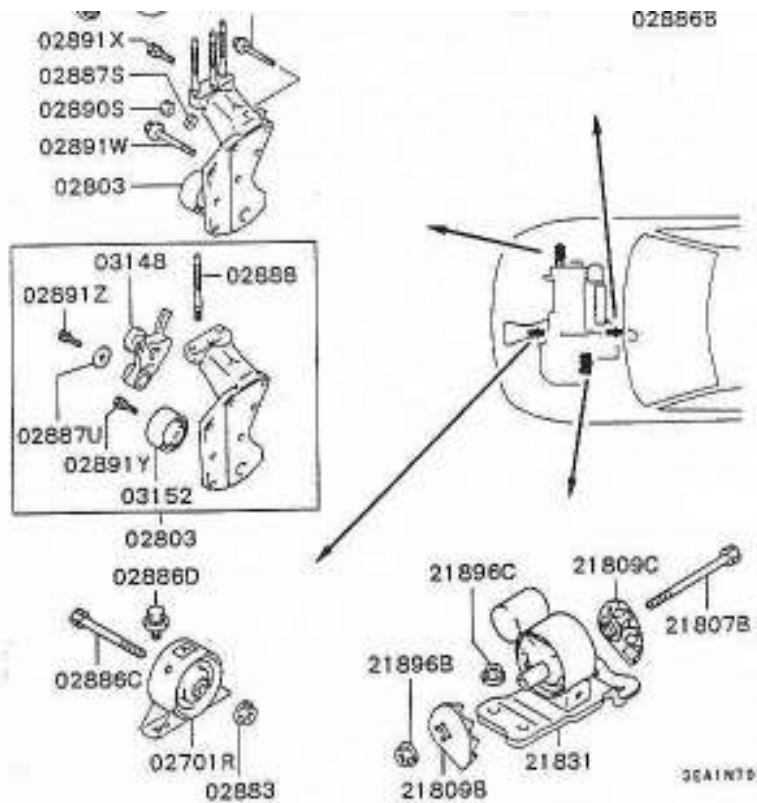
500328



500237

500185





Nr	Cześć	Cena netto zł	Cena brutto zł
01000A	ENGINE ASSY EVO 6 (LHD)	37 086,06	45 244,99
01070	GASKET SET, ENGINE	1 087,49	1 326,74
01080	GASKET KIT, ENG OVERHAUL, UPR	864,43	1 054,61
01200A	HEAD ASSY, CYLINDER	5 348,82	6 525,56
01210	GASKET, ZYLINDER-HEAD	186,42	227,43
03460	GUIDE, INLET VALVE SIZE 0,05	69,91	85,29
01300A	BLOCK ASSY, CYLINDER	7 731,75	9 432,73
01305	SCREW, OIL-JET	270,71	330,26
01321	PLATE, CYLINDER BLOCK BAFFLE	65,94	80,45
01381	OIL-JET	40,16	49,00
03018	BEARING CRANKSHAFT	69,91	85,29
03048	THRUST BEARING SET	82,80	101,01
03602R	BEARING, BALANCER SHAFT, RR RH	48,09	58,67
01500	OIL PAN, ENGINE	743,70	907,32
02007Q	COVER TIMING BELT LWR	152,21	185,70
02007S	COVER TIMING BELT CTR	179,98	219,57
02012Q	COVER TIMING BELT	70,90	86,50
02012S	COVER TIMING BELT	66,93	81,66
03000	CRANKSHAFT	3 123,56	3 810,74
03006	BOLT, CONROD	9,42	11,49
03010A	CONNECTION-ROD, ASSY	359,46	438,54
03019	BEARING CONROD	69,91	85,29
03019/1	BEARING, CONROD, S1	69,91	85,29
03019/2	BEARING, CONROD, S2	69,91	85,29
03020A	PISTON u. PIN ASSY S0	270,71	330,26
03020A/1	PISTON u. PIN ASSY S1	270,71	330,26
03020A/2	PISTON U. PIN ASSY S2	270,71	330,26
03030A	FLYWHEEL	1 041,19	1 270,25
03031	NUT, CONROD	9,42	11,49
03054	PULLEY, CRANKSHAFT DAMPER	462,09	563,75
03060	RING SET, PISTON STD	577,96	705,11
03060/1	RING SET, PISTON, SIZE 0,5	577,96	705,11

03060/2	RING SET, PISTON, SIZ 1,0	577,96	705,11
03797	BOLT, FLYWHEEL	8,92	10,89
03038	SPROCKET, CRANKSHAFT CAMSH DR	151,22	184,49
03108	CAMSHAFT INLET	971,77	1 185,56
03109	CAMSHAFT OUTLET	971,77	1 185,56
03158	PULLEY, TIMING BELT	114,53	139,73
03171	GEAR CAMSHAFT	102,63	125,21
03178	ADJUSTER, TIMING BELT	322,77	393,78
03301	ADJUSTER, ROCKER ARM LASH	84,29	102,83
03324	ROCKER ARM, INLET VALVE	72,39	88,31
03343	ROCKER ARM, EXHAUST VALVE	72,39	88,31
03410	VALVE, INLET	96,19	117,35
03413	SPRING, INLET & EXHAUST VALVE	60,49	73,80
03414	SPRING, INLET & EXHAUST VALVE	60,49	73,80
03420	VALVE EXHAUST	97,18	118,56
03610L	SHAFT, BALANCER LH	490,84	598,83
03610R	SHAFT, BALANCER RH	490,84	598,83
03616	PULLEY, BELT BALANCER	148,25	180,86
02701L	BRACKET ROLL/ENGINE RR	155,19	189,33
02701L1	E/G ROLL FRONT INSULATOR	165,30	201,67
02701R	BRACKET ROLL/ENGINE FR	187,91	229,25
02701R1	ENGINE ROLL-INS REAR	158,16	192,96
02803	BRACKET, CYLINDER BLOCK/ENGINE	216,67	264,33
02807	BRACKET ENGINE	237,49	289,74
02807/1	E/G & T/M MOUNT INSULATOR	164,76	201,00
03152	PULLEY, BELT	132,88	162,11
21831	BRACKET T/M	438,29	534,71