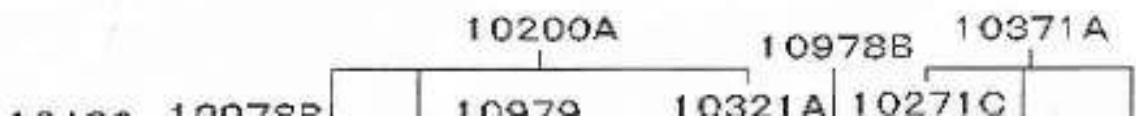
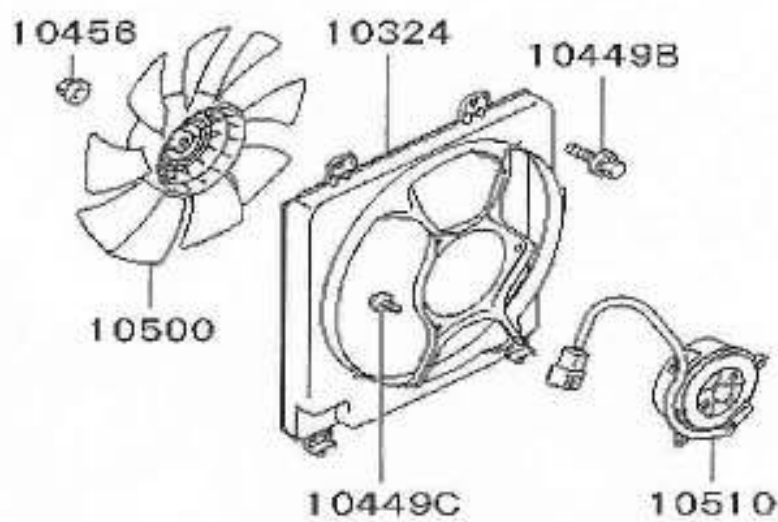
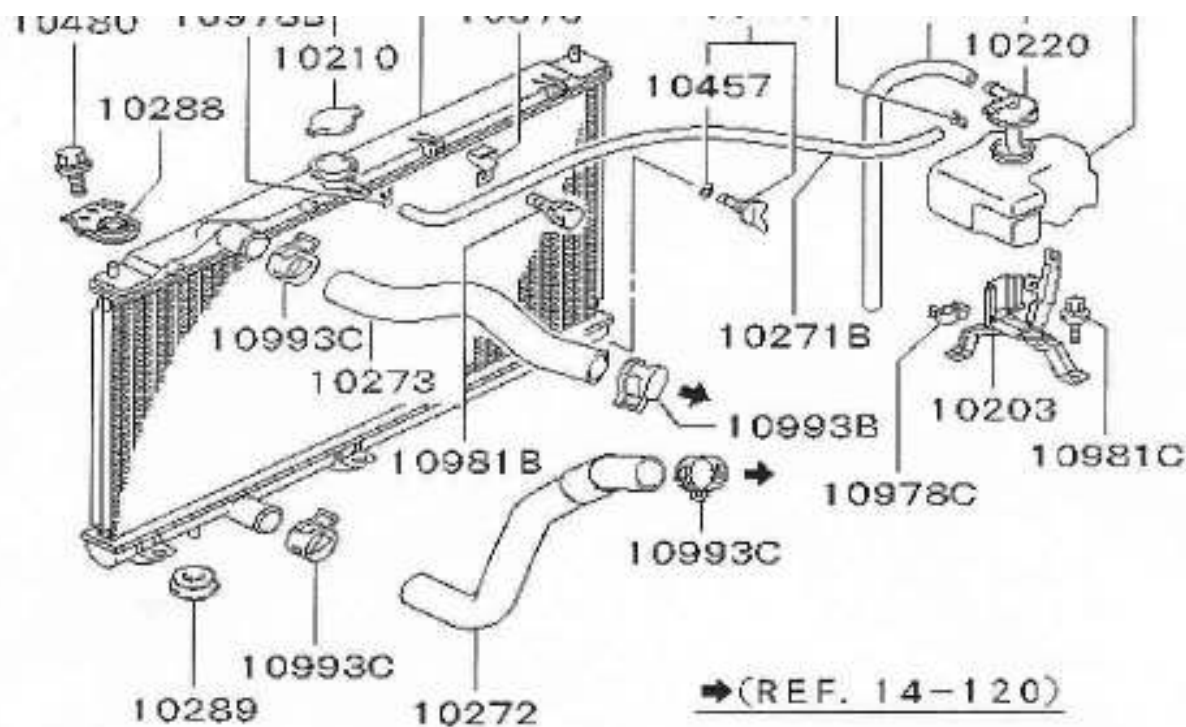


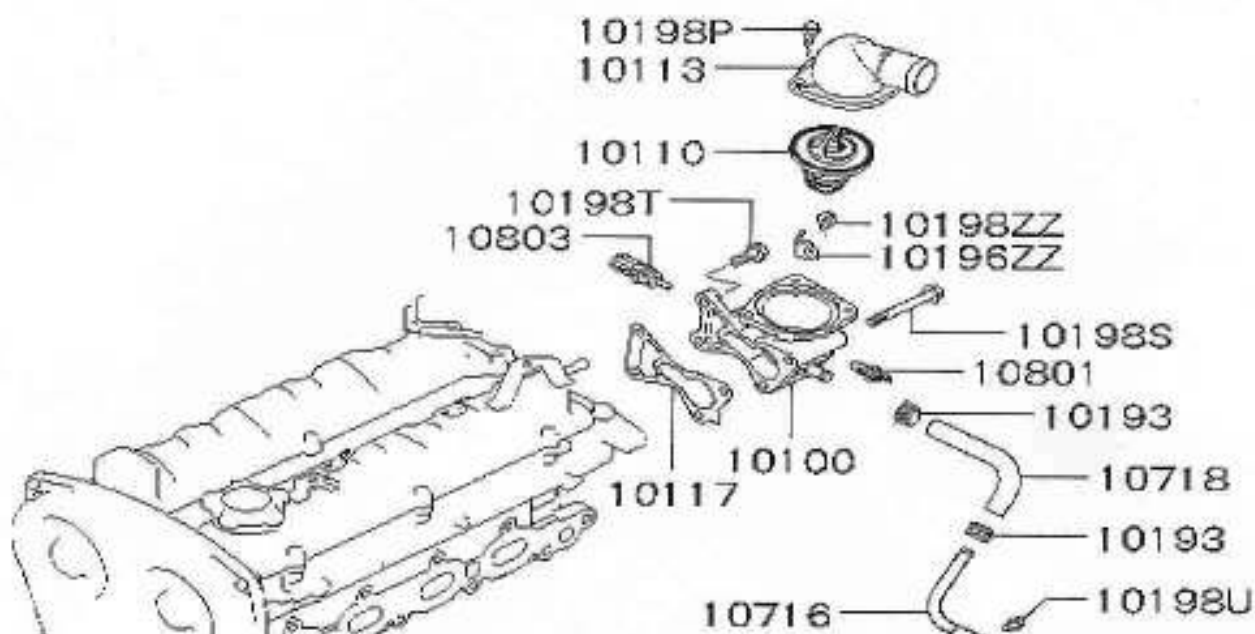
500334

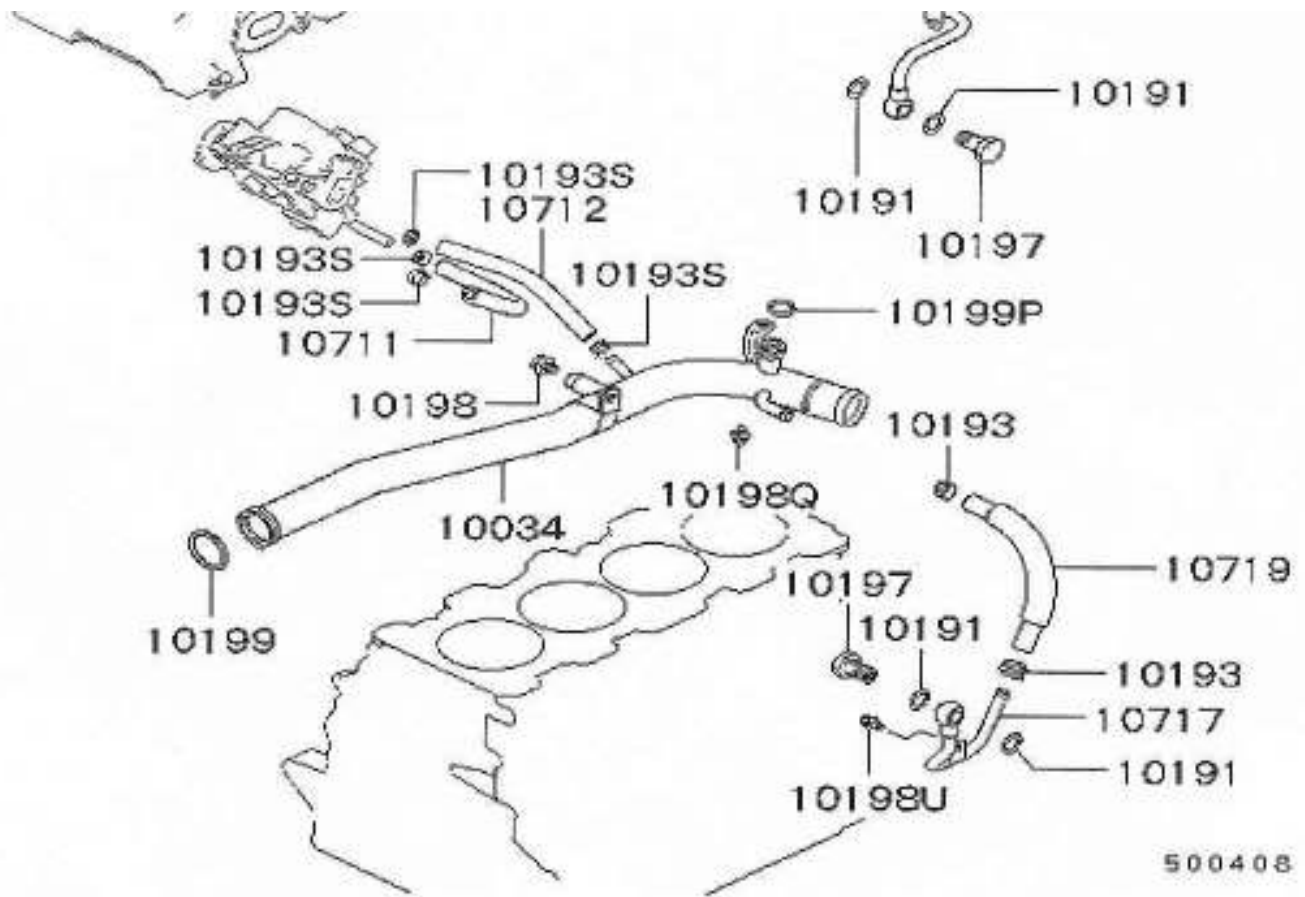




3E01T71

EVO 5 / EVO 6





EVO 6

Nr	Część	Cena netto zł	Cena brutto zł
10200A	RADIATOR ASSY	2 585,91	3 154,81
10203	BRACKET, RADIATOR CONDENSER TANK	51,07	62,30
10210/1	RADIATOR CAP 1,3 bar	136,89	167,01
10272	HOSE WATER	139,12	169,73
10273	HOSE WATER	54,74	66,78
10288/L	INSULATOR, RADIATOR SUPPORT UPR	26,77	32,66
10288/R	INSULATOR, RADIATOR SUPPORT UPR	27,27	33,27
10288L1	RADIATOR SUPPORT BUSHING	63,36	77,30
10289	RADIATOR SUPPORT BUSH	63,36	77,30
10324	SHROUD RADIATOR	393,67	480,27
10371A	TANK ASSY, RADIATOR CONDENSER	77,84	94,97
10500	FAN RADIATOR COOLING	107,59	131,26
10510	MOTOR RADIATOR FAN	917,24	1 119,03
A94	RADIATOR HOSE SET	1 533,17	1 870,47
10010	PUMP ASSY, WATER	580,09	707,71
10034	PIPE, WATER PUMP INLET	281,12	342,97
10100	CASE, THERMOSTAT	224,60	274,01
10110	THERMOSTAT	273,78	334,01
10113	FITTING, WATER OUTLET HOSE	92,22	112,51
10117	GASKET, HOUSING THERMOSTAT	2,97	3,63
10711	HOSE, THROTTLE BODY WATER FEED	16,56	20,20
10712	HOSE, THROTTLE BODY WATER RETURN	14,82	18,09
10716	PIPE, T/C WATER RETURN	39,37	48,03
10717	PIPE, T/C WATER FEED	130,00	158,60
10718	HOSE, WATER	14,28	17,42

10719	HOSE, T/C WATER FEED	47,35	57,77
10803	SENSOR TEMPERATUR	140,31	171,18